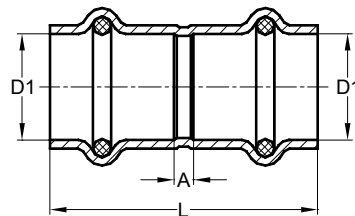


# SmarteX-PRESS Press Water Fittings

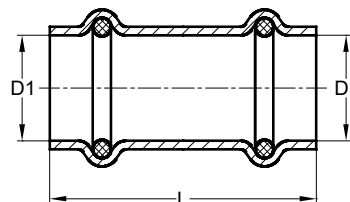
## Straight Coupling

Code	Size D1	L	A
SMA0001	DN15	41.5	4.5
SMA0002	DN20	50.5	4.5
SMA0003	DN25	53.5	5.5



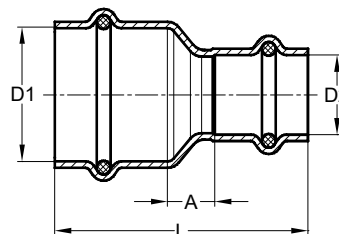
## Slip Coupling

Code	Size D1	L
SMA0004	DN15	41.5
SMA0005	DN20	50.5
SMA0006	DN25	53.5



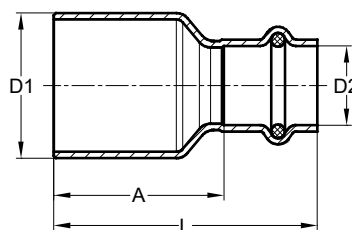
## Reducer Coupling

Code	Size D1	Size D2	L	A
SMA0007	DN20	DN15	50.5	9.0
SMA0008	DN25	DN15	55.5	13.0
SMA0009	DN25	DN20	56.5	9.5



## Reducer M&F

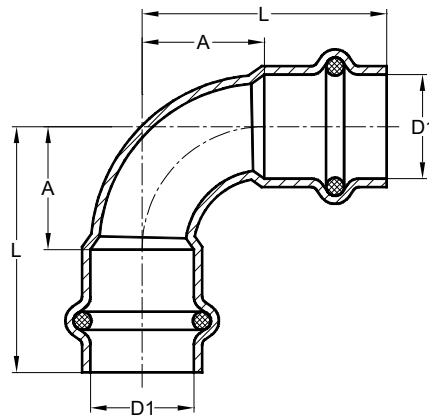
Code	Size D1	Size D2	L	A
SMA0010	DN20	DN15	48.5	30.0
SMA0011	DN25	DN15	56.0	37.5
SMA0012	DN25	DN20	55.5	32.5



# SmarteX-PRESS Press Water Fittings

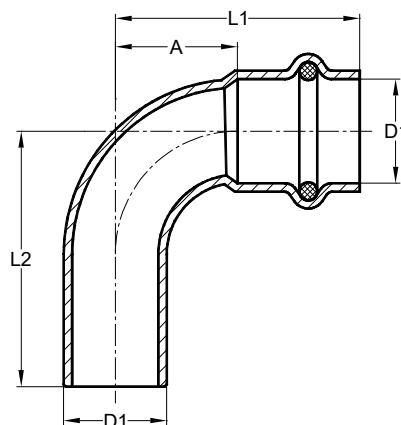
## Elbow 90 Deg

Code	Size D1	L	A
SMA0013	DN15	32.5	14.0
SMA0014	DN20	44.5	21.5
SMA0015	DN25	54.5	30.5



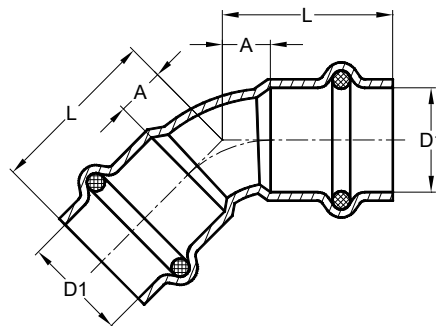
## Elbow 90 Deg M&F

Code	Size D1	L1	A	L2
SMA0016	DN15	32.5	14.0	35.5
SMA0017	DN20	44.5	21.5	45.5
SMA0018	DN25	54.5	30.5	56.5



## Elbow 45 Deg

Code	Size D1	L	A
SMA0019	DN15	24.5	6.0
SMA0020	DN20	32.0	9.0
SMA0021	DN25	36.5	12.5



# SmarteX-PRESS Press Water Fittings

**Elbow 45 Deg M&F**

Code	Size D1	L1	A	L2
SMA0022	DN15	24.5	6.0	28.0
SMA0023	DN20	32.0	9.0	35.0
SMA0024	DN25	36.5	12.5	39.0

**Equal Tee**

Code	Size D1	L1	A1	L2	A2
SMA0025	DN15	34.0	15.5	29.0	10.5
SMA0026	DN20	44.0	21.0	37.5	14.5
SMA0027	DN25	49.0	25.0	41.5	17.5

# SmarteX-PRESS Press Water Fittings

Reducing Tee									
Code	Size D1	Size D2	Size D3	L1	A1	L2	A2	L3	A3
SMA0029	DN20	DN15	DN20	44.0	21.0	40.5	22.0	37.5	14.5
SMA0028	DN20	DN20	DN15	40.5	17.5	40.5	17.5	32.5	14.0
SMA0030	DN20	DN15	DN15	40.5	17.5	40.5	22.0	32.5	14.0
SMA0031	DN25	DN25	DN15	41.0	17.0	41.0	17.0	36.0	17.5
SMA0032	DN25	DN25	DN20	44.0	20.0	44.0	20.0	41.0	18.0

Cap			
Code	Size D1	L	A
SMA0033	DN15	22.0	3.5
SMA0034	DN20	27.5	4.5
SMA0035	DN25	28.0	4.0